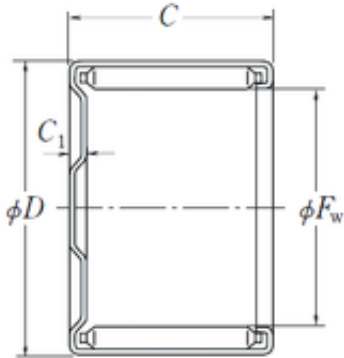




??? ??? ??????? ?????...



NSK MF-2526

Bearing No. MF-2526

MF-2526 Bearing 2D drawings and 3D CAD models

Size	25x32x26 mm
Bore Diameter	25 mm
Outer Diameter	32 mm
Width	26 mm
Fw	25 mm
D	32 mm
C	26 mm
C1	2,5 mm
Weight	0,055 Kg
Basic dynamic load rating (C)	34 kN
(Grease) Lubrication Speed	2800 r/min
NB-DI	0
NA-DEX	0
hidYobi	MF-2526
LangID	1
D_	32
NC-SLR	0
B_	26.5
n_yobi	FIR-202526
hidTable	ecat_NSDCNR
d1	20
GRS rpm	2800
ra	0.3
NC-SLR1	0
C0	71.718



??? ??? ??????? ?????...

Prod_Type3	NRB_DC_F-MF_FC_CT
da	22
d	20
NC-RAC	0
Pmax	31500
N-SDM	0
yobi	MF-2526
C1_C2	2.5
ND-Z	0
OIL rpm	4500
NC-DA	0
mass_i	55
NC-KMS	0
B1	26.5