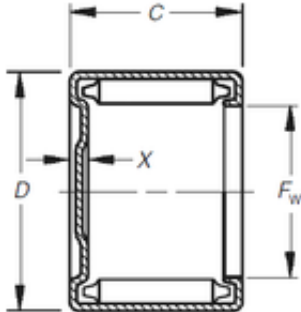




??? ??? ??????? ?????...

Timken M-36121



Bearing No. M-36121

Size	57.15x66.675x19.05 mm
Bore Diameter	57,15 mm
Outer Diameter	66,675 mm
Width	19,05 mm
Fw	57,15 mm
D	66,675 mm
C	19,05 mm
C1	3,3 mm
Weight	0,117 Kg
Basic dynamic load rating (C)	45,8 kN
Basic static load rating (C0)	105 kN
(Grease) Lubrication Speed	2000 r/min

M-36121 Bearing 2D drawings and 3D CAD models