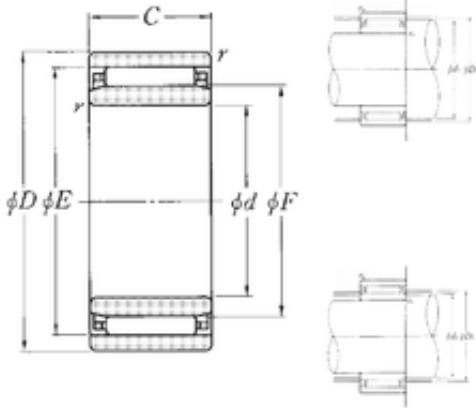




??? ??? ??????? ?????...

40 mm x 62 mm x 20 mm NTN  
NAO-40 x 62 x 20



Bearing No. NAO-40 x 62 x 20

NAO-40 x 62 x 20 Bearing 2D drawings and 3D CAD models

Bore Diameter	40 mm
Outer Diameter	53 mm
d	40 mm
F	45 mm
D	62 mm
E	53 mm
B	20 mm
C	20 mm
r min.	0,3 mm
da min.	42 mm
Da max.	60 mm
db	52,2 mm
ra max.	0,3 mm
Db	45,6 mm
Weight	0,23 Kg
Basic dynamic load rating (C)	36 kN
Basic static load rating (C0)	59 kN
(Grease) Lubrication Speed	6 000 r/min